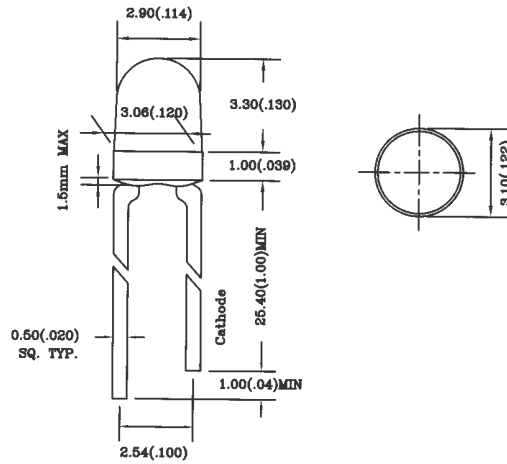
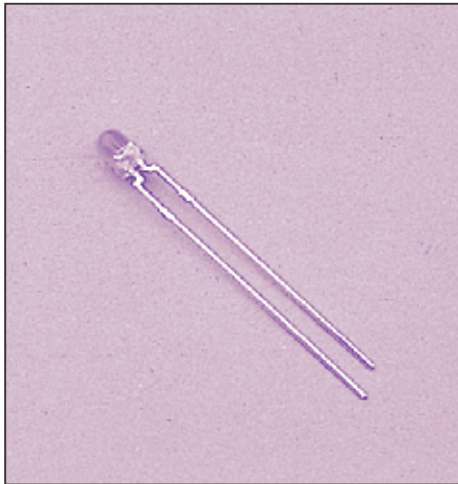
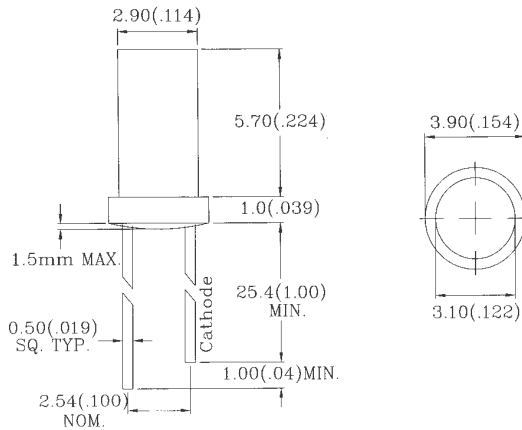
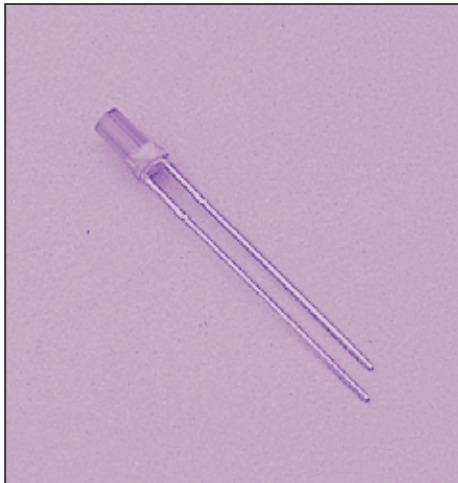


L-3541XX 3.0 mm Dia LOW PROFILE LED LAMP



Part No.	Chip		Lens Color	Wave Length λ p(nm)	Electro-Optical Characteristics			View Angle (deg)
	Raw Material	Emitted Color			Vf(V)20mA		lv(mcd)20mA	
					Typ.	Max.	Typ.	
L-3541HD	GaP	Red	Red Diffused	700	2.3	2.8	8.0	60
L-3541GD	GaP	Green	Green Diffused	565	2.2	2.8	18.0	60
L-3541YD	GaAsP/GaP	Yellow	Yellow Diffused	585	2.1	2.8	15.0	60
L-3541ED	GaAsP/GaP	Hi. effi Red	Red Diffused	635	2.1	2.8	25.0	60
L-3541SRD	GaAlAs	Super Red	Red Diffused	660	1.8	2.2	40.0	60

L-3N4XX 3.0 mm Dia CYLINDRICAL LED LAMP



Part No.	Chip		Lens Color	Wave Length λ p(nm)	Electro-Optical Characteristics			View Angle (deg)
	Raw Material	Emitted Color			Vf(V)20mA		lv(mcd)20mA	
					Typ.	Max.	Typ.	
L-3N4HD	GaP	Red	Red Diffused	700	2.3	2.8	2.0	150
L-3N4GD	GaP	Green	Green Diffused	565	2.2	2.8	6.0	150
L-3N4YD	GaAsP/GaP	Yellow	Yellow Diffused	585	2.1	2.8	5.0	150
L-3N4ED	GaAsP/GaP	Hi. effi Red	Red Diffused	635	2.1	2.8	8.0	150
L-3N4SRD	GaAlAs	Super Red	Red Diffused	660	1.8	2.4	10.0	150

- 1.All dimension are in millimeters (inches).
- 2.Tolerance is ± 0.25 mm (0.01") unless otherwise specified.